

SOLARIS 500 CHANDELIER

A contemporary chandelier with a satin brass ring and glass droplets, hung to perfectly refract the light from their elongated forms. It is suspended by an adjustable suspension cable.

FINISH

satin brass with cut glass
CTO-01-240-0001

satin stainless steel with cut glass
CTO-01-240-0002

SUSPENSION

stainless steel suspension cables with ceiling box

please specify the required overall drop from the ceiling to the bottom of the fitting

BULBS

240v - 7 x G9, 25w max halogen (or 2.3w LED 2700k)

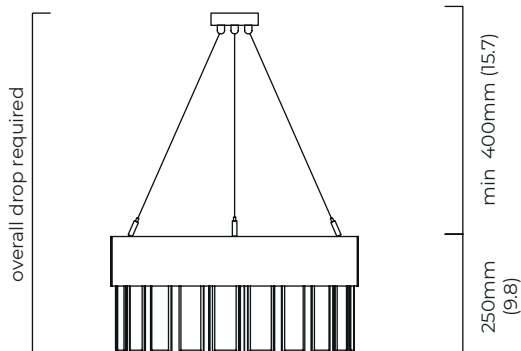
120v - 7 x G9, 25w max halogen (or 2.3w LED 2700k)
(no bulbs supplied)

WEIGHT

18kg (39.7lbs)

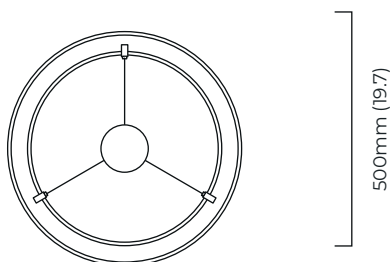
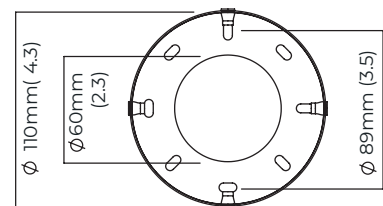
additional support around junction box required for installation

CERTIFICATION



mounting plate dimensions

240V



120V

